

Date: 1 July 2016

Product Change Notification

PCN Number: 2016/001

PCN Date: 01/07/2016

Subject: R4N relays

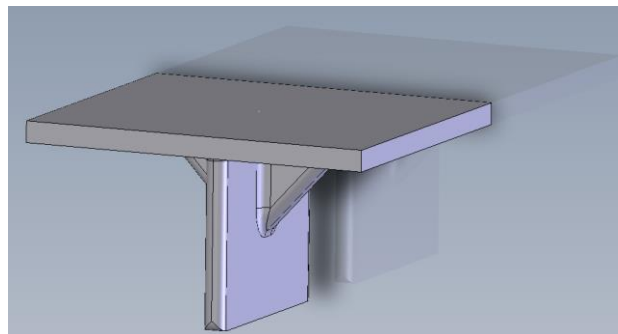
PLEASE FORWARD THIS PCN TO ENGINEERS RESPONSIBLE FOR THIS PRODUCT

We would like to inform you about our modified relay R4.

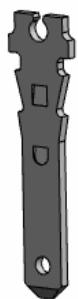
Appearance, overall dimensions, terminal layout and specifications shown on the data sheet remain unchanged.

The following are the main advantages of the new design:

In order to reduce the number of components and simplify the plastic of the relay assembly we have redesigned the relay so that the insulation plate is no longer necessary.



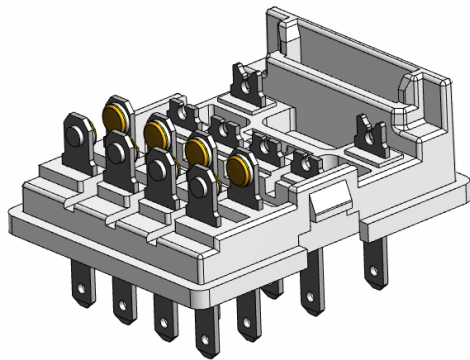
To maintain the appropriate distance of insulation and dielectric strength required for the specified product we have modified the movable contact terminals by reducing their height.



old shape



new shape



We have tested and verified the maximum dielectric strength of the insulation in a variety of climatic conditions in laboratory studies for the new solution. We tested 100% of our relays to confirm proper insulating distances.

The modified relay series was introduced into the market in July 2016 as versatile, general purpose products.

Production of relays according to the existing design will be discontinued end of June year 2016.